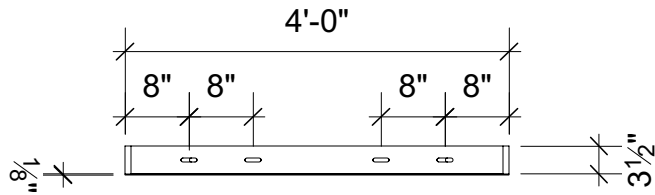
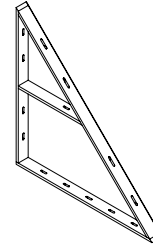


Top

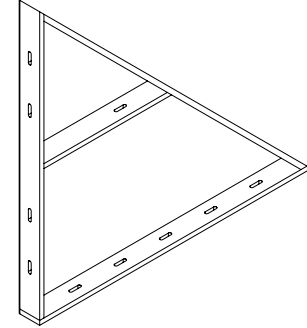


Right Rear Iso

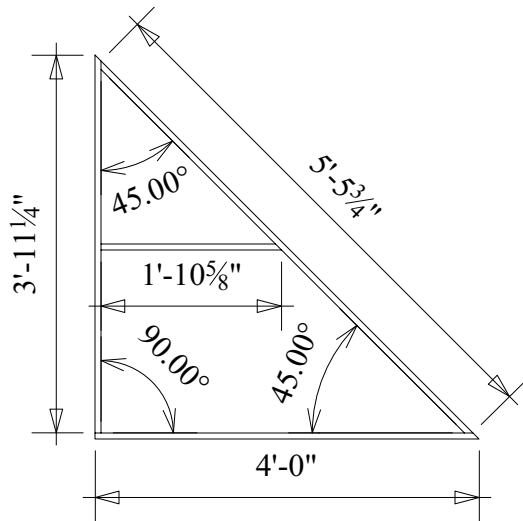
1/4"=1' Scale



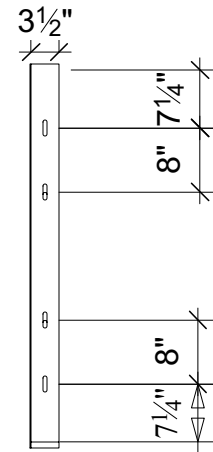
Right Iso



Back



Side



General Notes

Build. (1) For Second Level

Cut List. (1) 5'-5-3/4" long side with 45deg on both sides
 (1) 4'-0" long side with 45deg
 (1) 3'-11-1/4" long side with 45deg
 (1) 1'-10-5/8" long side with 45deg

Instructions. -Cut Lumber
 -Route holes in lumber
 -Assemble 1x lumber with glue and 1-1/2" 18ga staples
 -Attach 4'x8' sheathing as facing with glue and 3/4" 18ga staples crossgrain creating a square
 -Route any excess facing.

Router Notes. Rails: (5) Router Holes
 Stiles: (8) Router Holes
 Toggles: (1) Router Holes
 **Use jigs to mark for router holes.

Show Name

Noises Off 2019

Reference

1/2"=1'

Drawn By

Scott Bedell

Date

09/12/18

CAD File Name

Standard 4x4 Right Triangle Flat